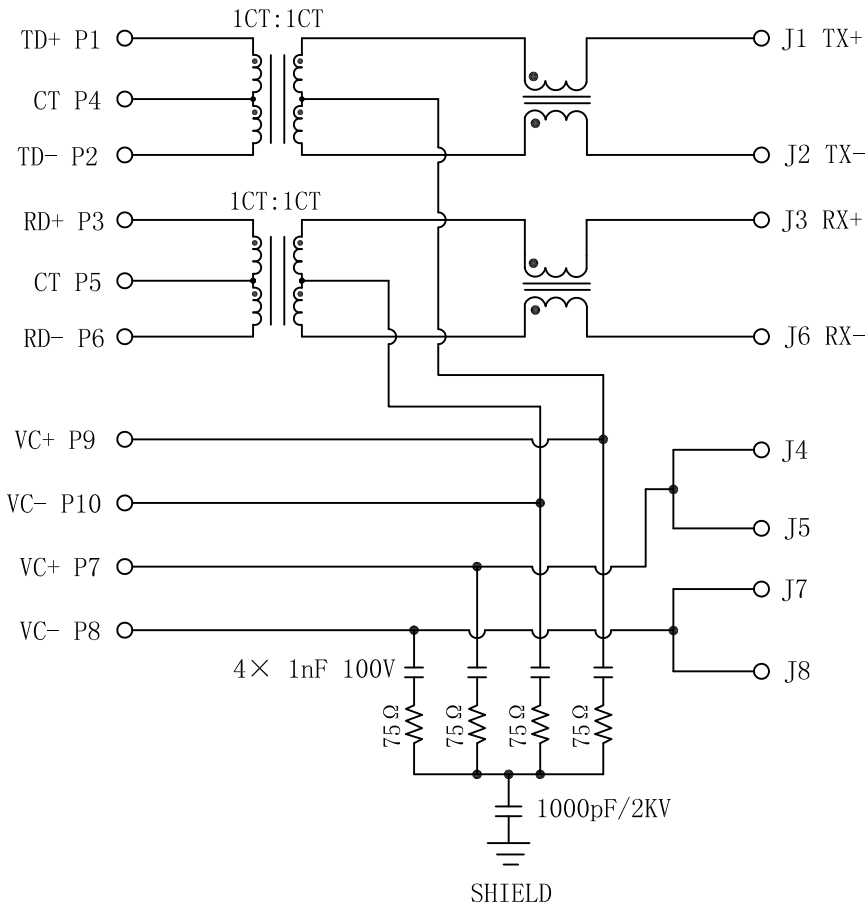


Schematic:

REV.	ECN NO.	DESCRIPTION	DATE	APPD
A	REL		2014-10-25	

PCB CONNECTIONS

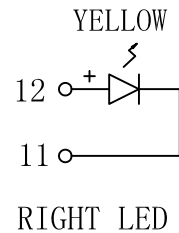
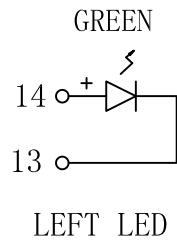


RJ45 CONNECTOR

Electrical Specifications @25°C

- Turns Ratio(100KHz, 0.1V) :
PINS: (P1-P2) : (J1-J2)=1:1 ±3%
PINS: (P3-P6) : (J3-J6)=1:1 ±3%
- OCL(100KHz, 100mV, 8mA, DC Bias) :
PINS: (P1, P2), (P3, P6)=350uH Min
- Insertion Loss:
0.3-100MHz:-1.0dB Max
- Return Loss(dB Min) :
1-30MHz:-20 30-60MHz:-15
60-80MHz:-10
- Crosstalk:
1-100MHz:-30 dB Min
- Common to Common Mode Rejection:
1-100MHz:-30dB Min
- Hi-PoT: 1500Vrms/0.5mA/2sec Min
- Operating Temperature Range: 0°C~70°C.

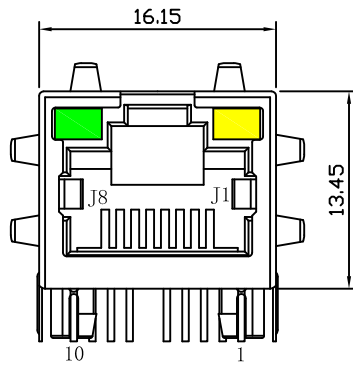
Emitting Color	λ p(nm)	VF@IF=20mA	IR @VR=5V
GREEN	565	1.8~2.6V	10 μA max
YELLOW	585	1.8~2.6V	10 μA max



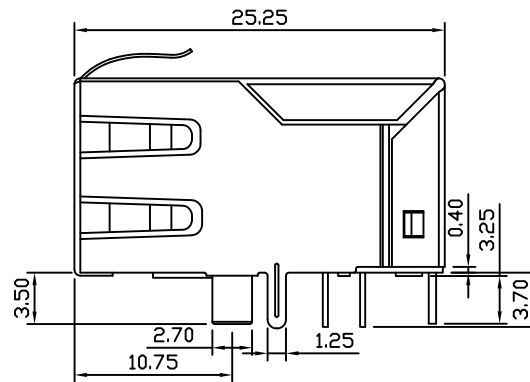
X:X ±0.30	APPD:	LINK-PP INT'L TECHNOLOGY CO., LIMITED		
X:XX ±0.25	CHKD:			
X:XXX ±0.05	DR: TOM	TITLE: RJ45 Connector with 10/100 Base-T Integrated Magnetics For PoE Application		
ANGLES ±1°	UNIT: mm	PART NO.: LPJ1153AHNL		
	SCALE: 2/1	SHEET: 1/2	REV: A	DWG NO.: LP14110420

Mechanical:

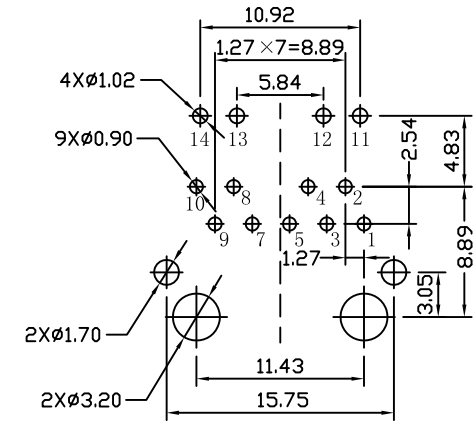
REV.	ECN NO.	DESCRIPTION	DATE	APPD
A	REL		2014-10-25	



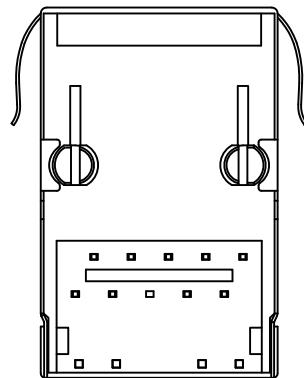
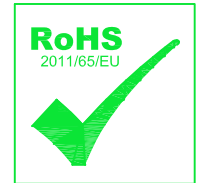
Front Side View



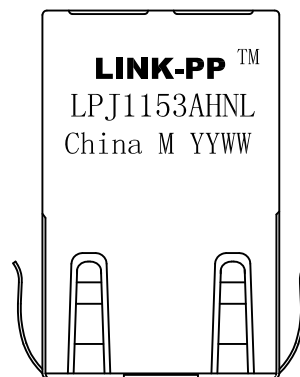
Left Side View



Suggested PCB Layout (Top View)



Bottom Side View



Top Side View

NOTES:

1. Designed to support application, such as SOHO (ADSL modems), LAN-on-Motherboard (LOM), hub and Switches.
2. Meets IEEE 802.3af specification
3. Connector Materials:
 Housing: Thermoplastic PBT+30%G.F UL94V-0
 Contact: Phosphor Bronze C5210R-EH Thickness=0.35mm
 Pins: Brass C2680R-H Thickness=0.35mm
 Shield: SUS 201-1/2H Thickness=0.2mm
 Contact plating: Gold 6 micro-inches min. In contact area.
4. Wave solder tip temperature: 265°C Max, 5 Sec Max.

X:X ±0.30	APPD:	LINK-PP INT'L TECHNOLOGY CO., LIMITED		
X:XX ±0.25	CHKD:			
X:XXX ±0.05	DR: TOM	TITLE: RJ45 Connector with 10/100 Base-T Integrated Magnetics For PoE Application		
ANGLES ±1°	UNIT: mm	PART NO.: LPJ1153AHNL		
	SCALE: 2/1	SHEET: 2/2	REV: A	DWG NO.: LP14110420