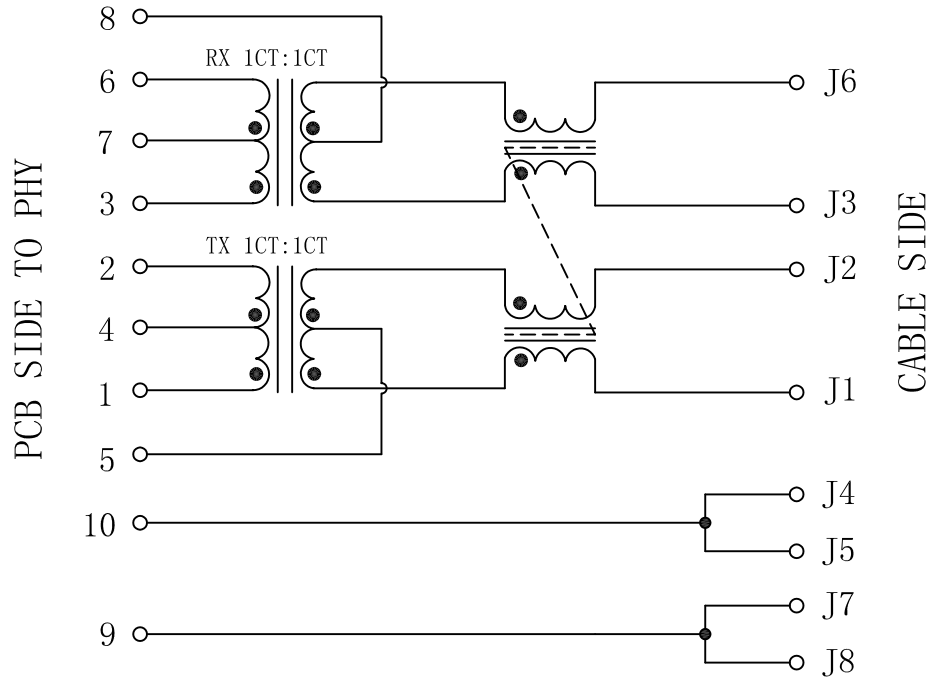


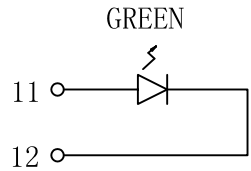
Schematic:

REV.	ECN NO.	DESCRIPTION	DATE	APPD
A	REL		2010/03/20	

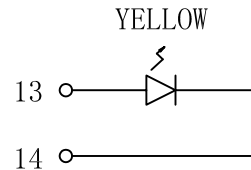


Electrical Specifications @25°C

1. TURNS RATIO ($\pm 5\%$):
TX=1CT:1CT RX=1CT:1CT
2. HI-POT: 1500Vrms
3. INSERTION LOSS:
-1.2dB MAX @ 1-100MHz
4. RETURN LOSS:
-16dB MIN @ 1-30MHz
-14dB MIN @ 40MHz
-13dB MIN @ 50MHz
-12dB MIN @ 60-80MHz
5. CROSS TALK:
-43dB MIN @ 30MHz
-37dB MIN @ 60MHz
-33dB MIN @ 100MHz
6. DCMR:
-50dB MIN @ 30MHz
-43dB MIN @ 60MHz
-35dB MIN @ 100MHz
7. OCL:
350uH Min 0.1MHz 0.1Vrms With 8mA DC Bias
8. Operating temperature range: -40°C to +85°C



LEFT LED



RIGHT LED

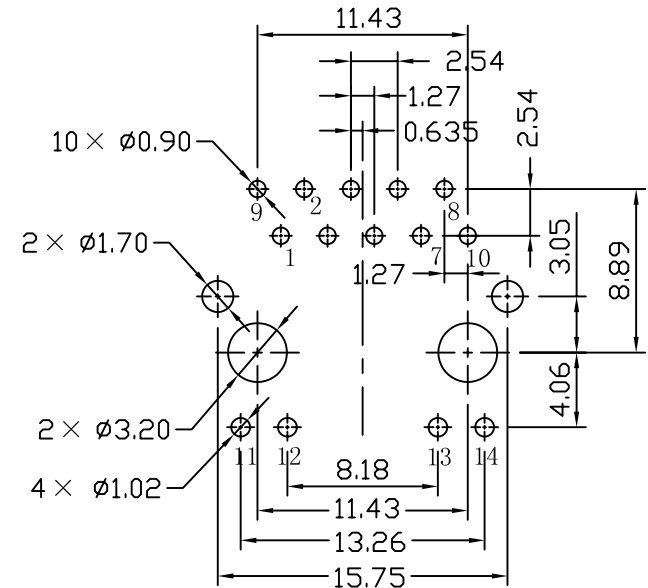
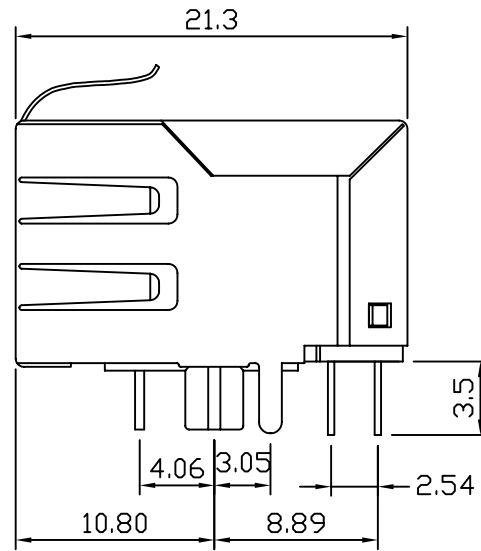
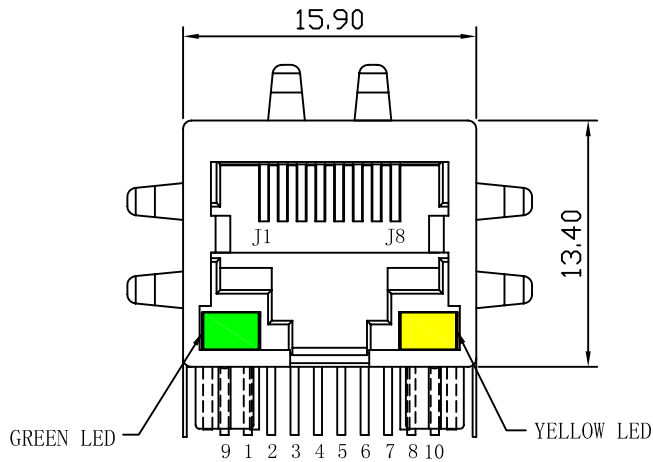
LED POLARITY		COLOR
PIN 11	PIN 12	
+	-	GREEN

LED POLARITY		COLOR
PIN 13	PIN 14	
+	-	YELLOW

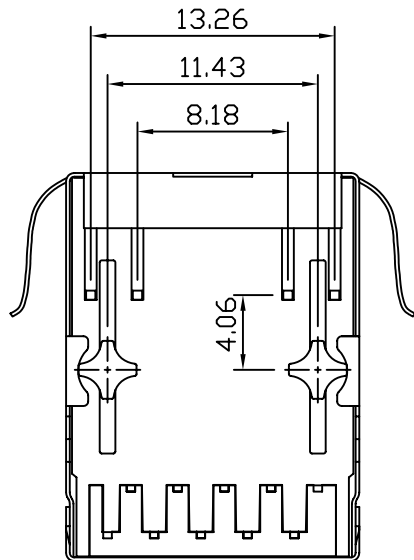
X:X	± 0.25	APPD:	LINK-PP INT'L TECHNOLOGY CO., LIMITED	
X:XX	± 0.20	CHKD:	TITLE: RJ45 Connector with 10/100 Base-T Integrated Magnetics & PoE	
X:XXX	± 0.05	DR: TOM	PART NO. : LPJ4514GENL	
ANGLES	$\pm 1^\circ$	UNIT: mm		
	SCALE: 2/1	SHEET: 1/2	REV: A	DWG NO. : LP10032006

Mechanical:

REV.	ECN NO.	DESCRIPTION	DATE	APPD
A	REL		2010/03/20	



SUGGESTED PCB LAYOUT (TOP VIEW)



NOTES:

1. Designed to support application, such as SOHO (ADSL modems), LAN-on-Motherboard (LOM), hub and Switches.
2. Meets IEEE 802.3 specification
3. Connector Materials:
Housing: Thermoplastic UL94V-0
Contact/Shield: Copper alloy
Shield plating: Nickel
Contact plating: Gold 6 micro-inches min. In contact area.
4. Wave peak temperature: 260°C, 5Sec.
5. Support Power over Ethernet (PoE).
6. Designed to handle 600mA DC for PoE.



X:X ±0.25	APPD:	LINK-PP INT'L TECHNOLOGY CO., LIMITED
X:XX ±0.20	CHKD:	
X:XXX ±0.05	DR: TOM	TITLE: RJ45 Connector with 10/100 Base-T Integrated Magnetics & PoE
ANGLES ±1°	UNIT: mm	PART NO.: LPJ4514GENL
	SCALE: 2/1	SHEET: 2/2
	REV: A	DWG NO.: LP10032006

Sales Department A-B2

Sales Engineer / Summer Ming - 明夏

Tel: 0086-752-3322915 Mob: 0086-180-2668-6530

Fax: 0086-752-3161926

E-mail: Summer@link-pp.com

www.link-pp.com

LINK- PP INT'L TECHNOLOGY CO., LIMITED

Jia An Industrial Park, Chenjiang Rd, Zhongkai Hightech Zone, Huizhou City,
516003, China



LINK- PP INT'L TECHNOLOGY CO., LIMITED

Seris : LPJXXXXXXXX / LPXXXXXXXX / LPAXXXXXXX